

Electric Vehicle Surge Unit

Installation and usage guide



LIVE ELECTRICAL DISTRIBUTION UK LTD

Unit 4, Queensmead Place, Trafford Park, Manchester, M17 1PH

Tel: 0161 870 2592 Web: www.liveelectrical.co.uk

E-mail: sales@liveelectrical.co.uk



Ensure that these instructions are made available to the end user for future reference.

MMGU Specification

Description

The distribution equipment and circuit protection range of metal consumer units by Live Distribution UK LTD is designed to fully comply with the requirements of BS EN 61439-3 and BS EN 61643-11 and BS EN 61009-1 requirements of the 18th Edition of BS 7671 IET Wiring Regulations. With multiple configurations available, the range offers flexible versatile solutions for installations.

Features & Benefits

Consumer units are supplied with 20A/32A/40A 30mA type A RCBO, and 20/40 KA DP Surge Protective Device

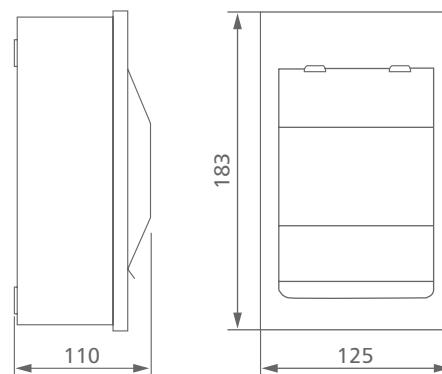
- Fully enclosed metal construction body with drop down metal lid.
- Multiple circular cable entry knock-outs on the top, bottom, sides, and back rear slots.
- Raised key holes for secure easy installation.
- Raised Din rail improves cable routing.
- Modern style finished in white polyester powder coating to RAL9010.
- Flexible connection allows for various configurations of protected ways.
- Fitted with type A RCBO



Unit Dimension

Part No.	Description	Box Qty	Dimensions		
			W	H	D
MMGU20-SP	4 ways MMGU04, RNA20C-030, SA140 1P+N	12	125	183	110
MMGU32-SP	4 ways MMGU04, RNA32C-030, SA140 1P+N	12	125	183	110
MMGU40-SP	4 ways MMGU04, RNA40C-030, SA140 1P+N	12	125	183	110
MMGU20B-SP	4 ways MMGU04, RNA20B-030, SA140 1P+N	12	125	183	110
MMGU32B-SP	4 ways MMGU04, RNA32B-030, SA140 1P+N	12	125	183	110
MMGU40B-SP	4 ways MMGU04, RNA40B-030, SA140 1P+N	12	125	183	110

Dimensions



Safety Instructions

- This unit must be installed and tested in accordance with the requirements of all relevant legislation, regulations and accepted practice.
- After completion of the installation draw users attention to the instructions contained inside this booklet and leave with user.
- The total load supplied by this unit must not exceed the rating of the RCBO.
- This unit is suitable for indoor use only and is rated at IP40.

Installation

Enclosure Mounting

- Remove lid by turning lid fixing screws until they are free from the base.
- Remove appropriate cable entry holes. If using compression glands, fit them in the appropriate knockout prior to fixing unit to the wall.
- Mount the unit using appropriate screws and fixings.
- Bring all cables in through appropriate cutouts and route to their final location.

Connection of Main Incoming Device

- Cut and dress the main incoming cables and connect them into the appropriate terminals.
- Tighten the main incoming terminals securely.

Completion of Installation

- Test installation in accordance with relevant regulations.
- Once all circuits are connected, replace lid.
- Labels are provided and should be used as required.
- Once the above is complete hand this booklet to the end user.



Cable and Torque Settings

Check the tightness of all terminals, including factory made terminations, as follows:

Device	Max Cable Capacity (mm ²) Input / Output	Recommended Tightening Torque (Nm)
2 Pole RCBO	25	2
Earth Terminals	25	2
Surge Device	25	2

Operating Instructions

- In normal use all toggles should be in the upward position indicated by I or ON.

Warning!

All connections, including factory-made, must be checked for the correct installation and tightness, prior to the commissioning of the electrical installation.
Electricity is dangerous if in any doubt please seek qualified advice